

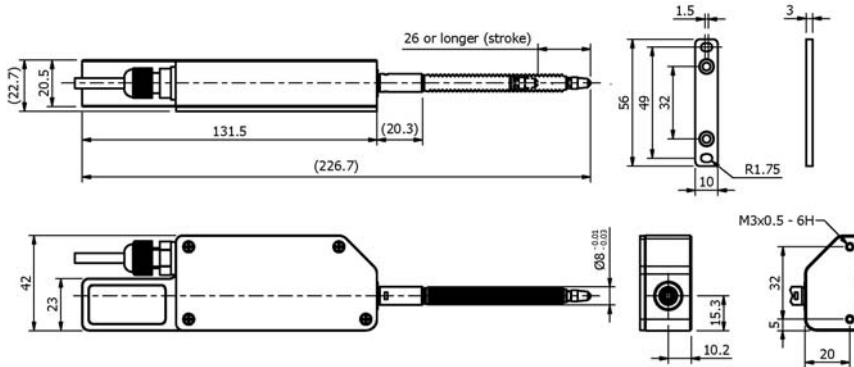
# LT

## DISPLACEMENT SENSOR LINEAR GAUGE



- Measuring Range 25 mm
- Resolution 20, 10, 5, 4  $\mu\text{m}$
- Line Drive

### DIMENSION



### ORDERING INFORMATION

LT-AA25-		
	<b>Resolution</b> 解析	<b>Electronics</b> 電路特性
	20: 20 $\mu\text{m}$	L: Line Driver 5Vdc
	10: 10 $\mu\text{m}$	H: Line Driver 8-26Vdc
	05: 5 $\mu\text{m}$	
	04: 4 $\mu\text{m}$	

### ELECTRICAL SPEC.

Position Detection Method 檢測方式	Photoelectric Linear Encoder
Stroke (mm) 量測行程	25 mm
Standard Resolution ( $\mu\text{m}$ /pulse) 解析	20, 10, 5, 4 $\mu\text{m}$
Measuring Accuracy (at 25°C) 精度	5 $\mu\text{m}$
Quantizing Error 誤差	5 $\mu$ $\pm$ 1 count
Response Speed 響應速度	1200 mm/sec.
Electronics 電路特性	Line Driver
Power Supply 供應電源	DC 5V / DC 8~26V
Phase Different 相位差	A, B phase different, differential Square Wave

### MECHANICAL SPEC.

Measuring Force-Contact Point 測量力	[Upwards 朝上] 4N or less [Horizontal 水平] 4.3N or less [Downwards 朝下] 4.5N or less
Contact Point 探頭	$\varnothing$ 3 Carbide-Tipped (fixing Screw: M2.5x5)
Stem Diameter 固定桿徑	$\varnothing$ 8
Vibration 震動	1.5 mm peak-to-peak amplitude, 10 ~55 Hz, 2hours each in X.Y.Z directions
Cable 電線	$\varnothing$ 4.5, 100 cm long
Weight 重量	< 260g

### ENVIRONMENTAL SPEC.

Operating Temp. / Humidity 操作溫度	0°C ~ 40°C
Storage Temp. 儲存溫度	-10°C ~ 55°C
Protection 保護等級	IP55 Dust Proof
Mechanical Life Times 機械壽命	5X10 <sup>6</sup> cycles (3 times/sec.)



• TEL: +886 2 2226-3867 • FAX: +886 2 2226-2011 • E-mail: [sales@hontko.com.tw](mailto:sales@hontko.com.tw)

买原装正品 找杭州蔚联 0571-86985191