

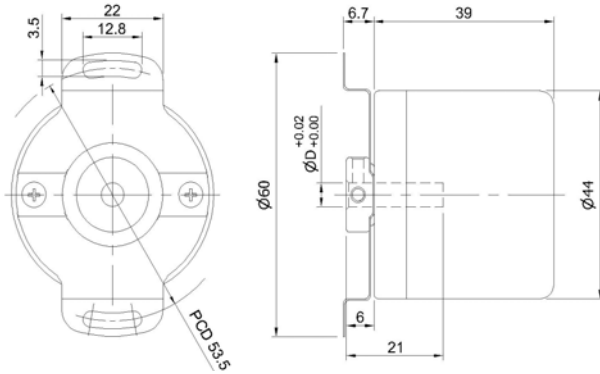
HTR-HB

ROTARY ENCODER HOLLOW SHAFT



- Light Duty
- Hollow Shaft Diameter 6, 8, 10 mm
- Mounting PCD 53.5
- Push Pull, Line Driver
- DC 5~26V

DIMENSION



ORDERING INFORMATION

HTR-HB

| | | | |
|-------------------|------------------------|---|---------------------|
| Hole Size 中空軸徑 | Pulse/Revolution 解析 | A | Electronics 電路特性 |
| 6: Ø6 | 5, 10, 50, 100, | | P: Push Pull |
| 8: Ø8 | 200, 300, 360, | | *H: Line Driver |
| 10: Ø10 | 400, 500, 600, | | |
| | 900, 1000, 1024, | | |
| | 1200, 1500, 1800, | | |
| | 2000, 2048, 2500 | | |

ELECTRICAL SPEC.

| | |
|---|---|
| Detection System | Incremental 增量型 |
| Output Wave 輸出波形 | Square Wave 方波 |
| Standard Number of Pulse Per Revolution 解析 | 5, 10, 50, 100, 200, 300, 360, 400, 500, 600, 900, 1000, 1024, 1200, 1500, 1800, 2000, 2048, 2500 |
| Output Phase 輸出相 | ABZ phase |
| Electronics 電路特性 | Push Pull 推挽式, Line Driver 差動式 |
| Power Supply 供應電源 | DC 5~26V |
| Current Consumption 消耗電流 | ≤ 60 mA |
| Output Capacity 輸出容量 | Sync. Current: 20 mA, Residual Voltage: 0.5V or less |
| Max. Response 最大響應頻率 | 10K Hz ~ 100K Hz |
| Phase Different 相位差 | A, B phase different 90°±45° (T/4±T/8), Z phase T±T/2 |
| Wave Form Rise / Fall 波形上下時間 | 2 μs or less |
| Polarity 極性保護 | Against Reverse Protection |

MECHANICAL SPEC.

| | |
|--------------------------------|---|
| Hollow Shaft Diameter 軸徑 | 6, 8, 10 mm |
| Shaft Loading 軸荷重 | (5 ~ 1024 PPR) Axial 軸向: 1 Kg, Radial 徑向: 2 Kg (over 1024 PPR) Axial 軸向: 0.5 Kg, Radial 徑向: 1 Kg |
| Starting Torque (at 25°C) 起動轉矩 | 30 gf-cm or less |
| Max. Speed 最大機械容許速度 | 6,000 rpm |
| Vibration 震動 | Max. 10g (10±1,500 Hz) |
| Shock 衝擊 | 20g per 11 ms |
| Cable 電線 | Ø4.5, 1000 mm long |
| Weight 重量 | ≤ 200g |

ENVIRONMENTAL SPEC.

| | |
|------------------------------------|--|
| Operating Temp. / Humidity 操作溫度/濕度 | 0°C ~ 60°C, RH 35% ~ 90% (No Condensation) |
| Storage Temp. 儲存溫度 | -20°C ~ 70°C |
| Protection 保護等級 | IP50: Dust Proof |