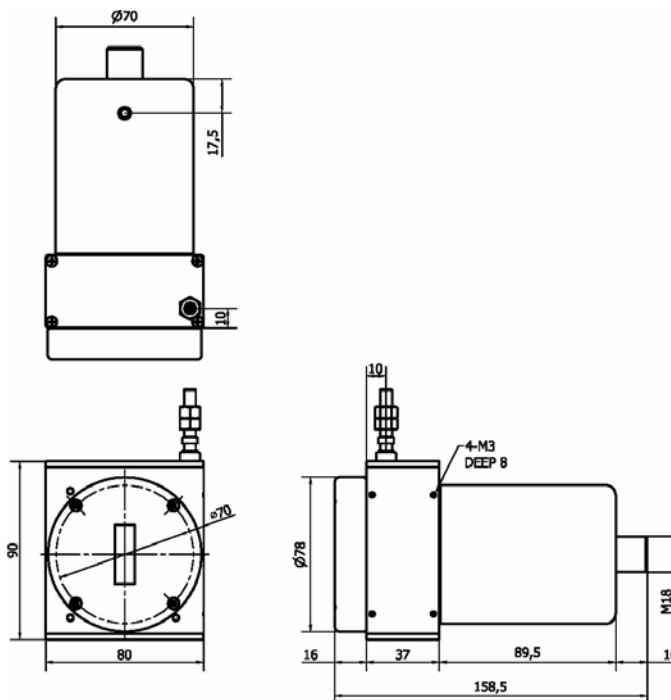


MLS-M

LINEAR WIRE TRANSDUCER

- PRECISION ELECTRIC 0-10V AND CURRENT 4-20mA SIGNAL OUTPUT
- SUITABLE FOR SHORT TO MEDIUM MEASUREMENT RANGE



ELECTRICAL SPEC.

Full Stroke (mm) 量測行程	1000, 1250, 1500, 2000
Sensor	Inductive Proximity Sensor
Output Signal Mode 輸出信號模式	4-20mA (±0.8mA); 0-10V (±0.4V)
Resolution 解析	0.3 mm
Time Delay before availability	≤ 50 msec
Input Power 供應電壓 (U _B)	15-30Vdc
No-load supply current	≤ 12 mA
Max. load at current output A2	500Ω (U _B =15V); 1KΩ(U _B =30V)

MECHANICAL SPEC.

Wire Specification 線徑規格	(stroke < 1250 mm) Diameter 0.6 mm SUS304 with nylon – coated (stroke < 1500 mm) Diameter 0.7 mm SUS304 with nylon – coated
Max. Travel Speed 最大往復速度	500 mm / sec.
Vibration 震動	10 Hz to 2000 Hz, 10 g
Cable 電線	PUR4 X 0.25 mm ² / 128XØ0.05 mm, cable length 2 m
Weight 重量	< 1,300 g
Starting Torque on Spring 拉力	(stroke 0 ~ 1250 mm) 600 g max.; (stroke over 1500 mm) 1000 g max

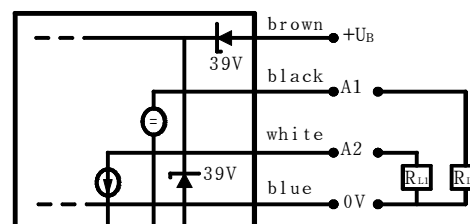
ENVIRONMENTAL SPEC.

Operating Temp. / Humidity 操作溫度/濕度	-25°C ~ 70°C
Storage Temp. 儲存溫度	-20°C ~ 80°C
Protection 保護等級	IP67

ORDERING INFORMATION

MLS-M -	Measuring Range 量測行程	
10 :	1000 mm	15 : 1500 mm
125 :	1250 mm	20 : 2000 mm

ELECTRICAL CONNECTION



U _B	15...30 VDC
U _{A1}	0...+10 VDC
I _{A2}	4...20 mADC