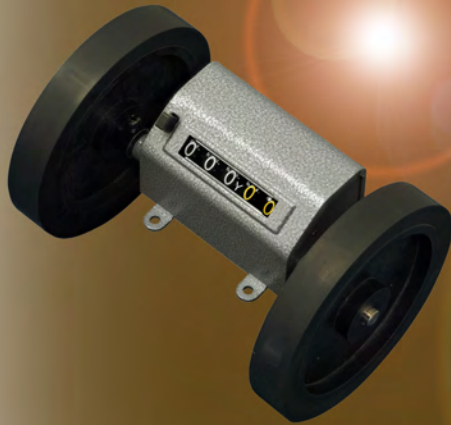


RY1 SERIES

MWC SERIES

MEASURING COUNTER



RY1 series



MWC series

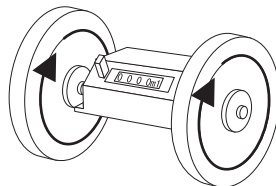
DESCRIPTION

These measuring counters are suitable for measuring cloth, paper, etc. Rolling 1/3 meter (or yard) wheels make the counter additive or subtractive, and reset to zero can be done easily by knob. Both RY1 and MWC series can stand high speed of rotation. RY1 series are heavy duty type, and MWC is economy type.

ROTATION FOR ADDITIVE

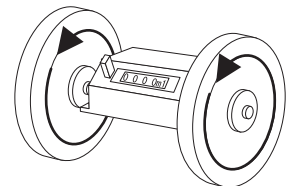
RY1 series

RY1-3:10-4 (I)
 RY1-3:10-5 (I)
 RY1-3:100-4 (I)
 RY1-3:100-5 (I)



(Top-going)

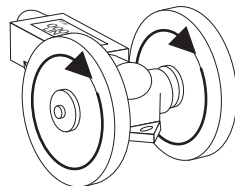
RY1-3:10-4 (II)
 RY1-3:10-5 (II)
 RY1-3:100-4 (II)
 RY1-3:100-5 (II)



(Top-coming)

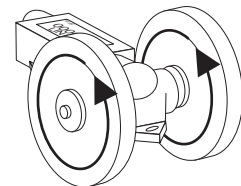
MWC series

MWC-3:1-5 (I)
 MWC-3:10-5 (I)



(Clockwise)

MWC-3:1-5 (II)
 MWC-3:10-5 (II)



(Anti-clockwise)

SPECIFICATIONS

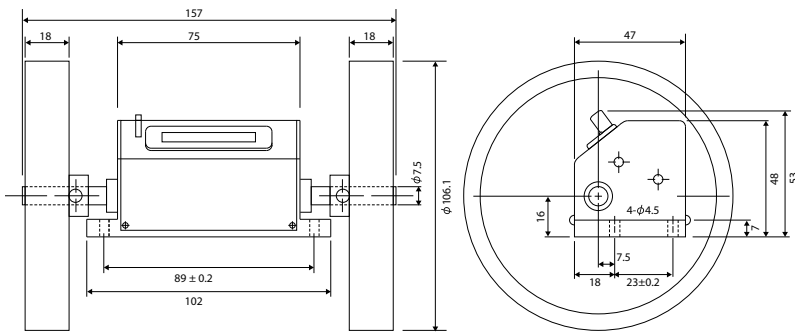
Ambient Temp.: Operating	-5 - +40°C	Ambient Humid.: Operating	85%RH maximum	Remarks	Non-Freezing, Non-Condensing
--------------------------	------------	---------------------------	---------------	---------	------------------------------

Models	Figures	Rotations for Additive	Unit of Measurements	Measuring Range	Maximum Count Speed	Operation Torque	Color of Figure	Weight
RY1-3:10-4 (I)	4	Top-going	0.1 meter (yard)	0.1 - 999.9m (yard)	300 meter (yard)/min	15mN·m	First figure is Yellow on Black background. Others are White on Black background.	530 g
RY1-3:10-4 (II)	4	Top-coming	0.1 meter (yard)	0.1 - 999.9m (yard)	300 meter (yard)/min	15mN·m		530 g
RY1-3:10-5 (I)	5	Top-going	0.1 meter (yard)	0.1 - 9999.9m (yard)	300 meter (yard)/min	15mN·m	Others are White on Black background.	570 g
RY1-3:10-5 (II)	5	Top-coming	0.1 meter (yard)	0.1 - 9999.9m (yard)	300 meter (yard)/min	15mN·m		570 g
RY1-3:100-4 (I)	4	Top-going	0.01 meter (yard)	0.01 - 99.99m (yard)	30 meter (yard)/min	20mN·m	First and second figures are Yellow on Black background. Others are White on Black background.	530 g
RY1-3:100-4 (II)	4	Top-coming	0.01 meter (yard)	0.01 - 99.99m (yard)	30 meter (yard)/min	20mN·m		530 g
RY1-3:100-5 (I)	5	Top-going	0.01 meter (yard)	0.01 - 999.99m (yard)	30 meter (yard)/min	25mN·m	Others are White on Black background.	570 g
RY1-3:100-5 (II)	5	Top-coming	0.01 meter (yard)	0.01 - 999.99m (yard)	30 meter (yard)/min	25mN·m		570 g
MWC-3:1-5 (I)	5	Clockwise	1 meter (yard)	1 - 99999m (yard)	300 meter (yard)/min	15mN·m	All figures are on Black background.	545 g
MWC-3:1-5 (II)	5	Anti-clockwise	1 meter (yard)	1 - 99999m (yard)	300 meter (yard)/min	15mN·m		545 g
MWC-3:10-5 (I)	5	Clockwise	0.1 meter (yard)	0.1 - 9999.9m (yard)	30 meter (yard)/min	15mN·m		545 g
MWC-3:10-5 (II)	5	Anti-clockwise	0.1 meter (yard)	0.1 - 9999.9m (yard)	30 meter (yard)/min	15mN·m		545 g

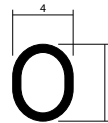
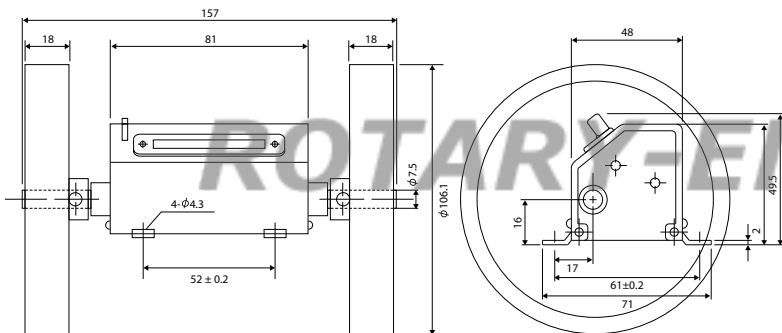
2 pieces of wheels are furnished as standard accessories. When you order, please specify type of wheels (meter or yard). Please pay attention to the copy products in the market.

DIMENSIONS AND WEIGHT

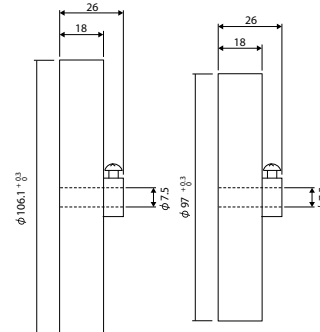
RY1-3 : 10-4 / RY1-3 : 100-4



RY1-3 : 10-5 / RY1-3 : 100-5



WHEEL

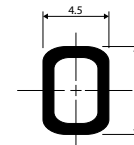
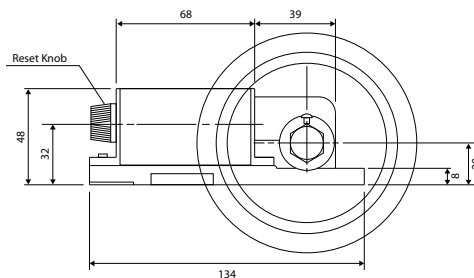
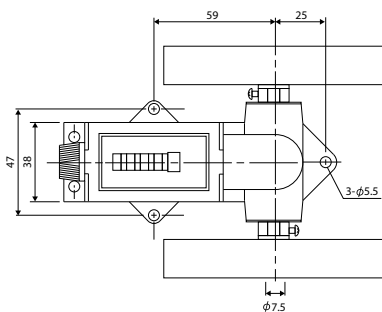


Meter Wheel Yard Wheel

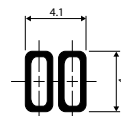
Rubber pulleys are subject to slip for wear in the long usage. It will cause measuring discrepancies. Please check the pulleys sometimes and exchange to new ones.

Unit of Measure	Model	Type of Surface	Material of Surface
Meters	MRM096	Plain	Thermoplastic Elastomer
Yard	MRM097	Plain	Thermoplastic Elastomer

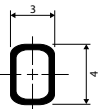
MWC-3 : 1-5 MWC-3 : 10-5



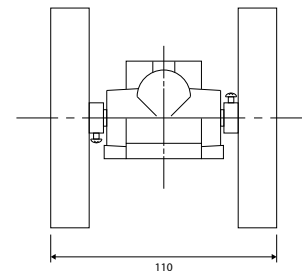
2nd-5th wheel



1st wheel for MWC-3:10-5



1st wheel for MWC-3:1-5



This catalog was last revised Sep. 21, 2021.
*Subject to change without prior notice.
All Rights Reserved, Copyright © 2021, LINE SEIKI CO., LTD.



LINE SEIKI CO., LTD.

37-7 Chuo-cho, 2-Chome
Meguro-ku, Tokyo 152-0001 Japan
Please visit our company website for contact details
webtrade@line.co.jp
https://www.line-seiki.com