

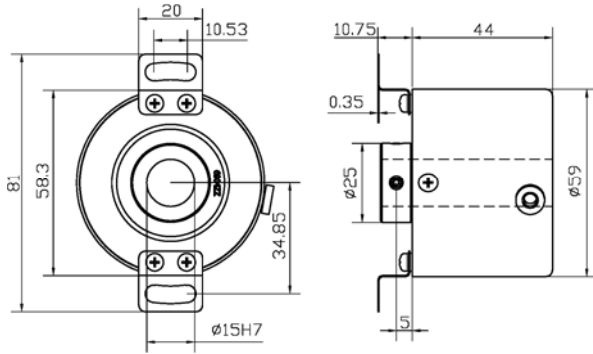
HTR-HM

ROTARY ENCODER HOLLOW SHAFT



- Hollow Shaft Diameter 12, 15 mm
- Mounting PCD 70.5
- Push Pull, Line Driver
- DC 5~26V

DIMENSION



ORDERING INFORMATION

HTR-HM	<input type="text"/>	<input type="text"/>	A - <input type="text"/>
	Hole Size 中空軸徑	Pulse/Revolution 解析	Electronics 電路特性
	12: $\phi 12$ 15: $\phi 15$	5, 10, 20, 30, 40, 50, 60, 80, 100, 120, 150, 180, 200, 250, 300, 360, 400, 500, 600, 720, 800, 900, 1000, 1024, 2000, 2500	P: Push Pull *H: Line Driver

ELECTRICAL SPEC.

Detection System	Incremental 增量型
Output Wave 輸出波形	Square Wave 方波
Standard Number of Pulse Per Revolution 解析	5, 10, 20, 30, 40, 50, 60, 80, 100, 120, 150, 180, 200, 250, 300, 360, 400, 500, 600, 720, 800, 900, 1000, 1024, 2000, 2500
Output Phase 輸出相	ABZ phase
Electronics 電路特性	Push Pull 推挽式, Line Driver 差動式
Power Supply 供應電源	DC 5~26V
Current Consumption 消耗電流	≤ 60 mA
Output Capacity 輸出容量	Sync. Current: 20 mA, Residual Voltage: 0.5V or less
Max. Response 最大響應頻率	10K Hz ~ 100K Hz
Phase Different 相位差	A, B phase different $90^\circ \pm 45^\circ$ (T/4 \pm T/8), Z phase T \pm T/2
Wave Form Rise / Fall 波形上下時間	2 μ s or less
Polarity 極性保護	Against Reverse Protection

MECHANICAL SPEC.

Hollow Shaft Diameter 軸徑	12, 15 mm
Shaft Loading 軸荷重	(60 ~ 1024 PPR) Axial: 3 Kg, Radial: 5 Kg (over 1024 PPR) Axial: 2 Kg, Radial: 4 Kg
Starting Torque (at 25°C) 起動轉矩	≤ 600 gf-cm
Max. Speed 最大機械容許速度	6,000 rpm
Vibration 震動	10g (10 \pm 1,500 Hz)
Shock 衝擊	20g per 11 ms
Cable 電線	$\phi 5.4$, 100 cm long
Weight 重量	≤ 450 g

ENVIRONMENTAL SPEC.

Operating Temp. / Humidity 操作溫度/濕度	-10°C ~ 60°C, RH 35% ~ 90% (No Condensation)
Storage Temp. 儲存溫度	-20°C ~ 80°C
Protection 保護等級	IP50: Dust Proof